

**FLOAT AND THERMOSTATIC STEAM TRAPS**  
**Twin Float Traps DN 80 – DN 100**  
**FLT22G/TW – Steel body / Cast iron cover**  
**FLT22GS/TW – Steel body / Carbon steel cover**

**DESCRIPTION**

FLT22G/TW float and thermostatic (integral air vent) steam traps series are designed for all types of low and high pressure steam heating and process equipment. Typical applications include unit heaters, heat exchangers, driers, jacketed vessels and all the applications where continuous drainage is essential. Connections are flanged for horizontal application.



**MAIN FEATURES**

Modulating discharge.  
 Discharges condensate at steam temperature.  
 Unaffected by sudden or wide load and pressure changes.  
 Excellent air discharge (by thermostatic air vent).

USE: Saturated and superheated steam.  
 AVAILABLE MODELS: FLT22G/TW.  
 FLT22GS/TW.

SIZES: DN 80 to DN 100.

CONNECTIONS: Flanged EN 1092-1 PN16 or ANSI.

INSTALLATION: Horizontal standard installation.  
 Vertical on request.



**MAX. DIFFERENTIAL PRESSURE**

FLT22G/TW-4,5 : 4,5 bar  
 FLT22G/TW-10 : 10 bar  
 FLT22G/TW-14: 14 bar

Note: the same figures are valid for the FLT22GS/TW.

BODY LIMITING CONDITIONS	
FLANGED PN16 / ANSI 150 lb *	RELATED TEMPERATURE
ALLOW. PRESSURE	
14,8 bar	100 °C
14 bar	150 °C
13,3 bar	200 °C
12,1 bar	250 °C

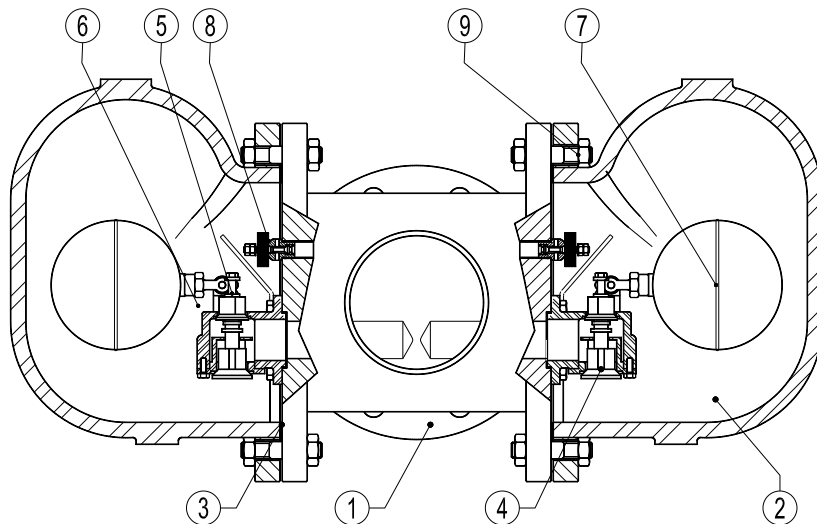
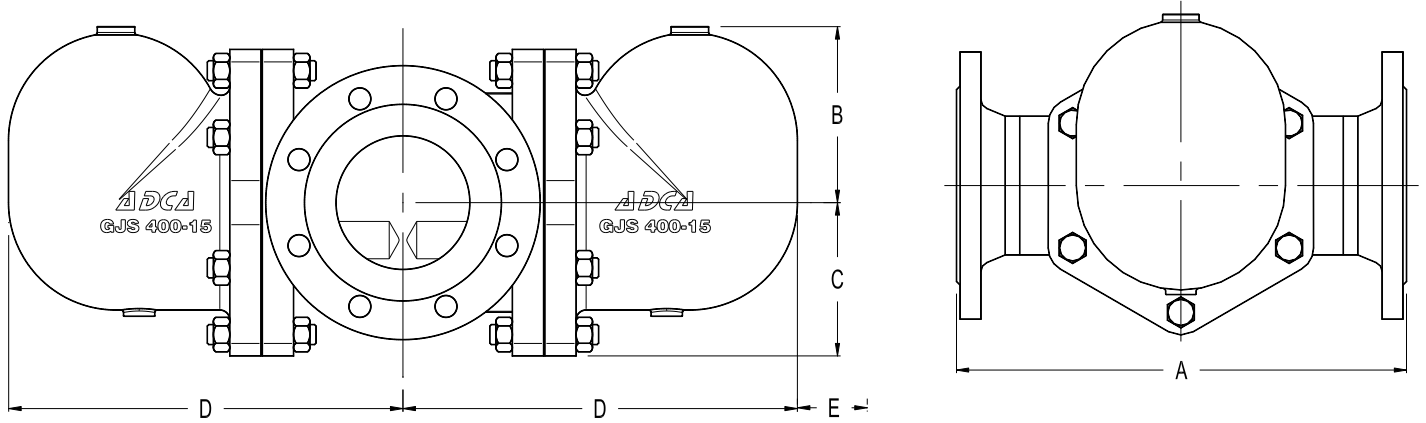
PMO – Max. operating pressure 14 bar  
 TMO – Max. operating temperature 198 °C  
 \*According to EN1092-1:2018

CE MARKING – GROUP 2 (PED – European Directive)	
PN16	Category
DN 80 – DN 100	1 (CE marked)

FLOW RATE CAPACITY (kg/h)										
MODEL	SIZE DN	DIFFERENTIAL PRESSURE (bar)								
		0,5	0,7	1	1,5	2	4,5	7	10	14
FLT22G/TW-4,5	80 – 100	15100	18100	22000	28000	31000	45000			
FLT22G/TW-10	80 – 100	7800	8900	10000	12200	14200	20000	27500	32000	
FLT22G/TW-14	80 – 100	3800	4600	5400	6200	7200	10000	13800	16200	19600

Note: the same figures are valid for the FLT22GS/TW.

DIMENSIONS (mm)						
SIZE	A	B	C	D	E	WGT. (kg)
3" - DN 80	350	141	123	315	200	73
4" - DN 100	350	141	123	315	200	71



MATERIALS			
POS. N°	DESIGNATION	MATERIAL FLT22G/TW	MATERIAL FLT22GS/TW
1	Body	P250GH / 1.0460; P235GH / 1.0345; S355J2G3 / 1.0570; S235JRG2 / 1.0038	P250GH / 1.0460; P235GH / 1.0345; S355J2G3 / 1.0570; S235JRG2 / 1.0038
2	Cover	GJS-400-15 / 0.7040	P240GH / 1.0619
3	*Gasket	Graphite	Graphite
4	*Seat	CF8 / 1.4308	CF8 / 1.4308
5	*Valve	AISI 420 / 1.4021	AISI 420 / 1.4021
6	*Lever	AISI 304 / 1.4301	AISI 304 / 1.4301
7	*Float	AISI 304 / 1.4301	AISI 304 / 1.4301
8	*Air vent	St. steel (bimetallic)	St. steel (bimetallic)
9	Bolts	Steel 8.8	Steel 8.8

\* Available spare parts.