

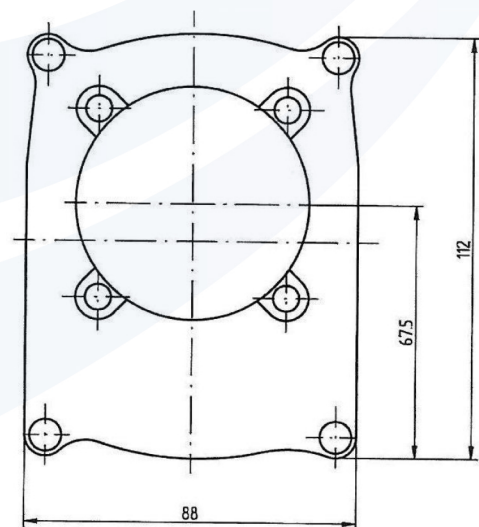
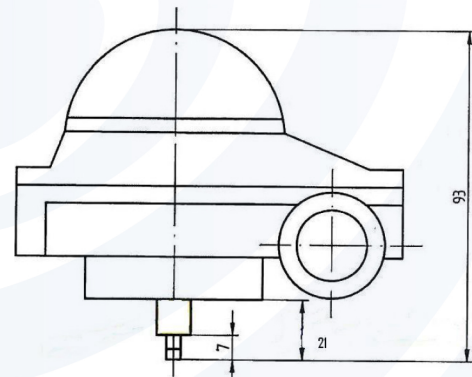
LIMIT SWITCH BOX TYPE APL

CHARACTERISTICS

The APL limit switch box is used with quarter turn pneumatic actuator for position feedback purpose. It gives both 3D visual and remote electrical indication of valve position. This compact and economical device is equipped with an universal adjustable mounting system with sliding legs. The cams can be adjusted manually with high precision.



Data	Value
Protection	IP 67
Temperature range	-25°C / +85°C
Electric connexions	2 x M20x 1.5
Switch type	2 x mechanical SPDT
Voltage	230 V AC : 3A 125 V AC : 5A 30 V DC : 4 A 12 V DC : 5 A
Actuator interface	F05 –VDI/VDE 3845



CONSTRUCTION

Part	Material
Body	Aluminium + epoxy coating
Cover	Aluminium + epoxy coating
3D- Indicator	Polycarbonate
Shaft	Stainless steel
Fasteners	Stainless steel

OPTIONS

SS mounting bracket for NAMUR 1,2 and 3 actuators