

2 PIECES BALL VALVES FLANGED ISO PN 20 ANSI 150



Size : DN 15 to 150 mm (NPS 1/2" to 6")
Ends : Flanges ISO PN20 ANSI 150 R.F.
Min Temperature : - 10°C
Max Temperature : + 180°C
Max Pressure : 20 Bars
Specifications : ISO 5211 mounting pad
PTFE filled with glass seat
Anti blow-out stem
Double antistatic device

Materials : Carbon steel or stainless steel

2 PIECES BALL VALVES FLANGED ISO PN 20 ANSI 150

SPECIFICATIONS :

- Full bore
- Anti blow-out stem
- Double antistatic device
- PTFE filled with glass seat
- Handle with locking device up to DN50 (NPS 2")
- ISO 5211 mounting pad
- 2 pieces type (Split body)
- Hollow ball for DN150 (NPS 6")
- Black anti-corrosive finish, 3-5 μ thickness for carbon steel types Ref.793

USE :

- Chemical industries, petrochemical industries, hydraulic installation, heating and water distribution
- Min and max Temperature Ts : -10°C to + 180°C
- Max pressure Ps : 20 bars

RANGE :

- Ball valve with carbon steel body **Ref. 793** from DN 15 to DN 150 (NPS 1/2" to 6")
- Ball valve with stainless steel body **Ref. 794** from DN 15 to DN 150 (NPS 1/2" to 6")

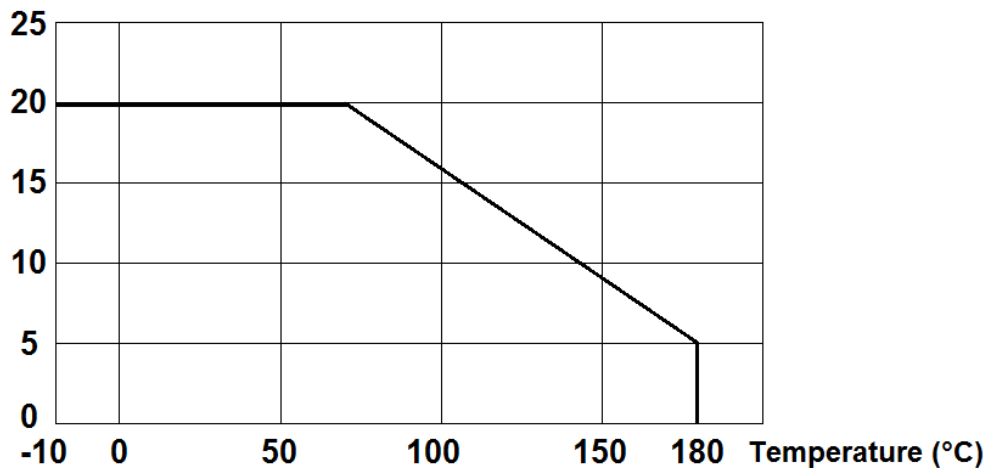
ENDS :

- R.F. flanges ISO PN20 ANSI 150

PRESSURE / TEMPERATURE GRAPH (STEAM EXCLUDED) :

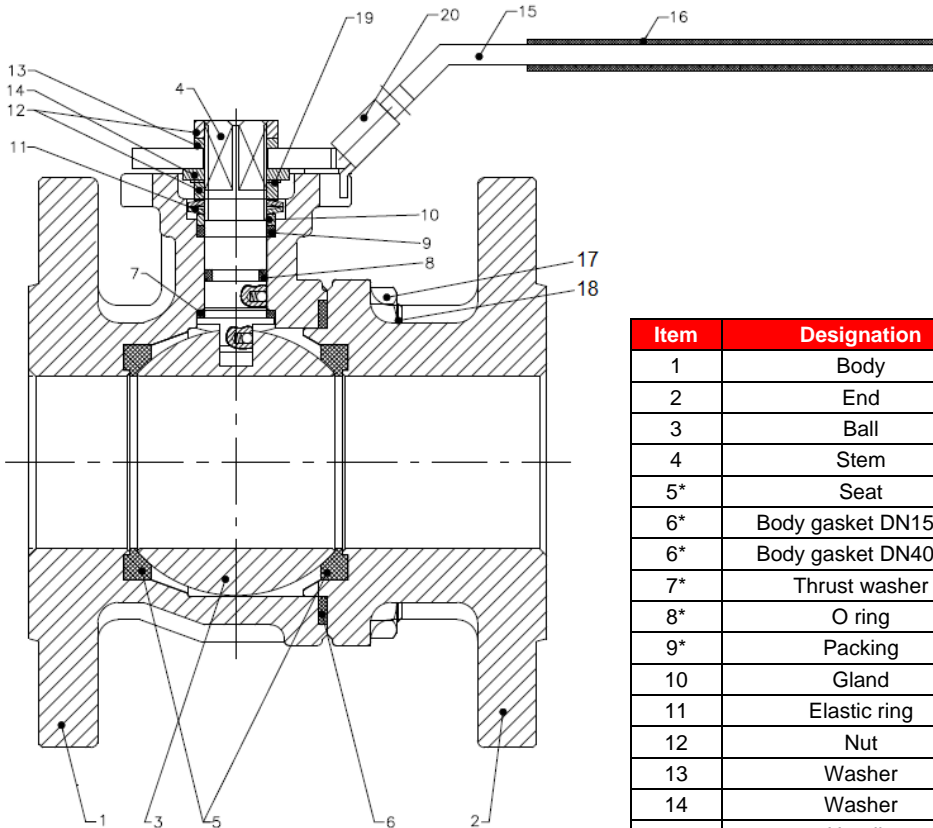
Pressure

(Bar)



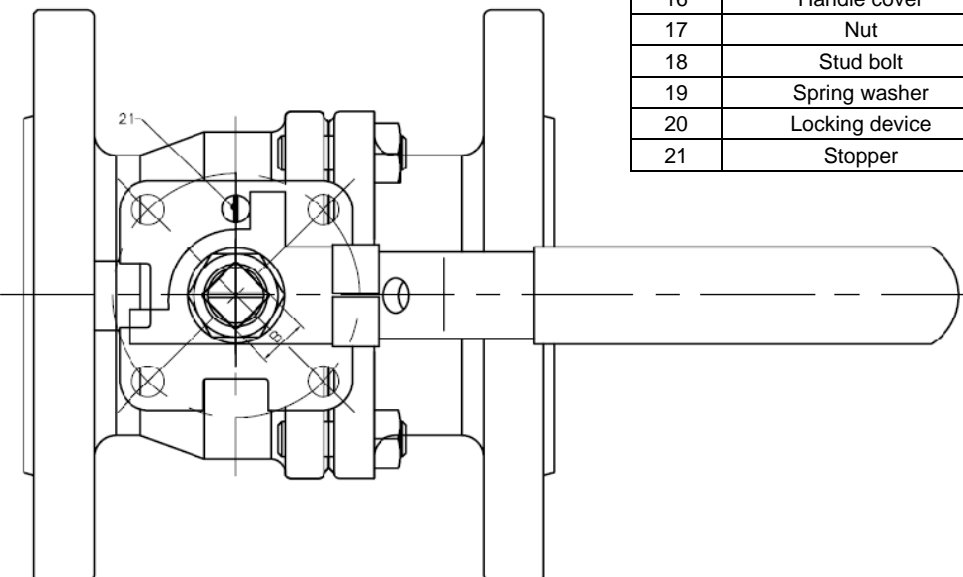
2 PIECES BALL VALVES FLANGED ISO PN 20 ANSI 150

MATERIALS DN 15 – 50 (NPS 1/2" to 2") :



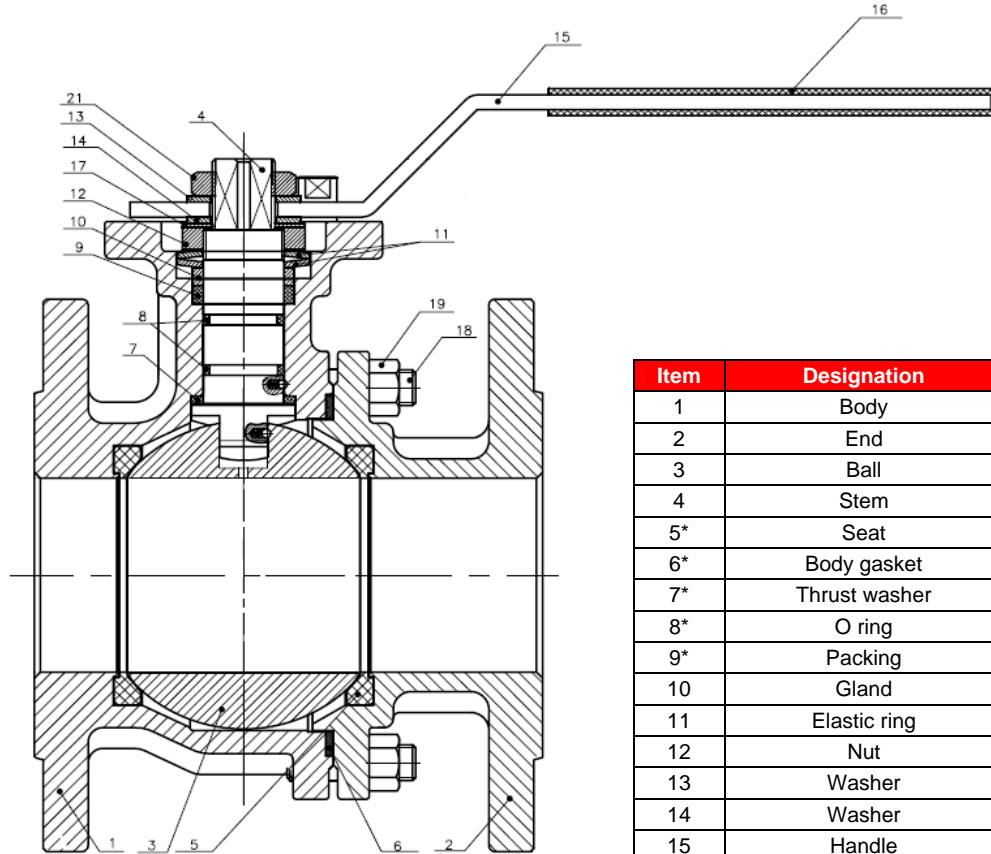
Item	Designation	Materials 793	Materials 794
1	Body	ASTM A216 WCB	ASTM A351 CF8M
2	End	ASTM A216 WCB	ASTM A351 CF8M
3	Ball	SS 304	SS 316
4	Stem	SS 316	
5*	Seat	PTFE filled with 3% glass fiber	
6*	Body gasket DN15-32	PTFE filled with 15% graphite	
6*	Body gasket DN40-50	SS 304 + graphite	
7*	Thrust washer	PTFE filled with 15% graphite	
8*	O ring	FKM	
9*	Packing	PTFE	
10	Gland	SS 304	
11	Elastic ring	SS 301	
12	Nut	SS 304	
13	Washer	SS 304	
14	Washer	SS 304	
15	Handle	SS 304	
16	Handle cover	Plastic	
17	Nut	SS 304	
18	Stud bolt	SS 304	
19	Spring washer	SS 304	
20	Locking device	SS 304	
21	Stopper	SS 304	

(* : Included in gaskets kit)



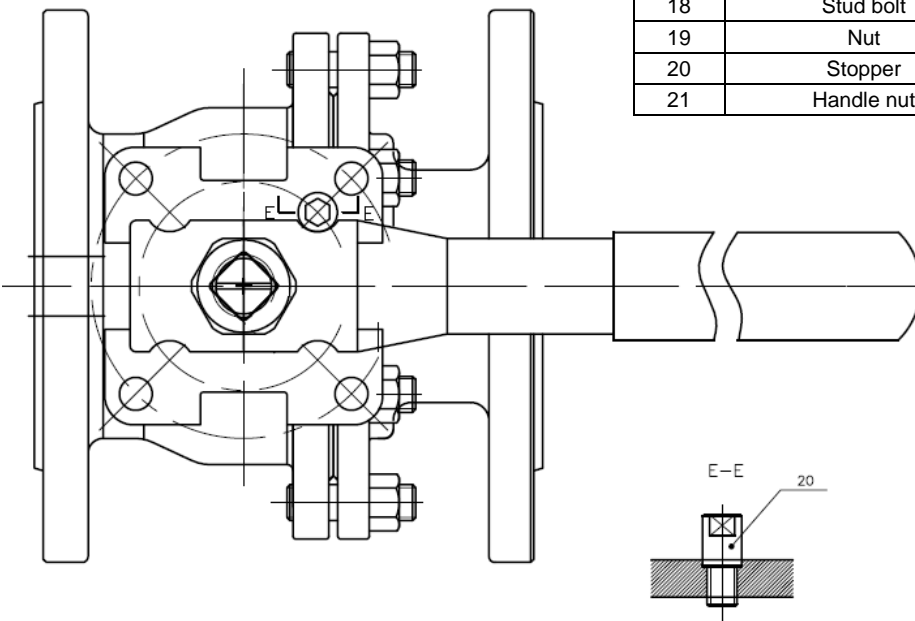
2 PIECES BALL VALVES FLANGED ISO PN 20 ANSI 150

MATERIALS DN 65 - 100 (NPS 2"1/2 to 4") :



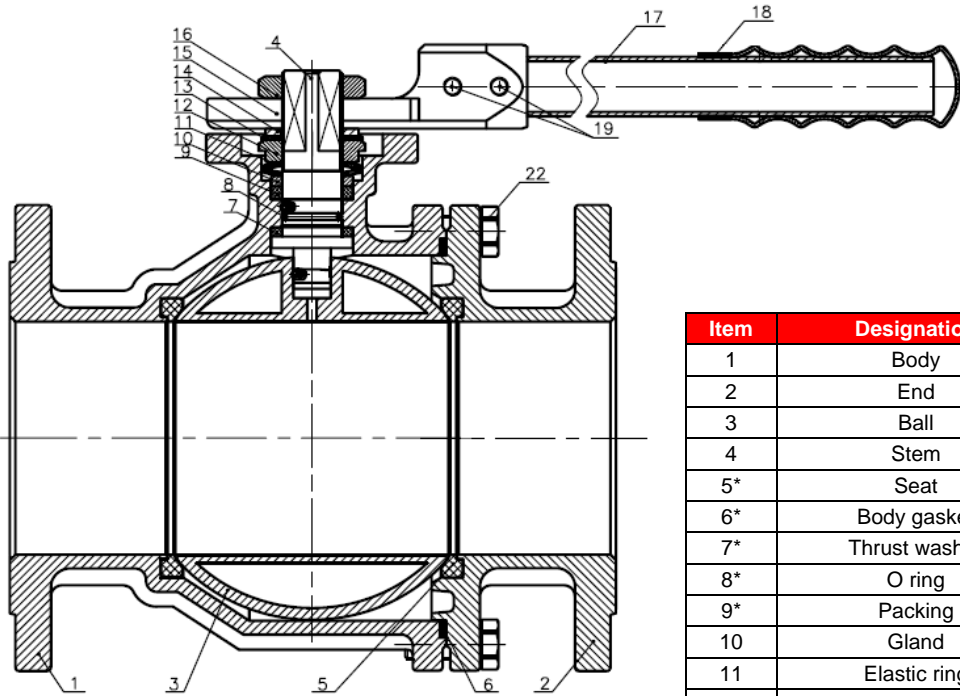
Item	Designation	Materials 793	Materials 794
1	Body	ASTM A216 WCB	ASTM A351 CF8M
2	End	ASTM A216 WCB	ASTM A351 CF8M
3	Ball	SS 304	SS 316
4	Stem	SS 316	
5*	Seat	PTFE filled with 3% glass fiber	
6*	Body gasket	SS 304 + graphite	
7*	Thrust washer	PTFE filled with 15% graphite	
8*	O ring	FKM	
9*	Packing	PTFE	
10	Gland	SS 304	
11	Elastic ring	SS 301	
12	Nut	SS 304	
13	Washer	SS 304	
14	Washer	SS 304	
15	Handle	SS 304	
16	Handle cover	Plastic	
17	Spring washer	SS 304	
18	Stud bolt	SS 304	
19	Nut	SS 304	
20	Stopper	SS 304	
21	Handle nut	SS 304	

(* : Included in gaskets kit)

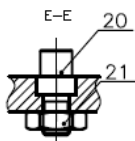
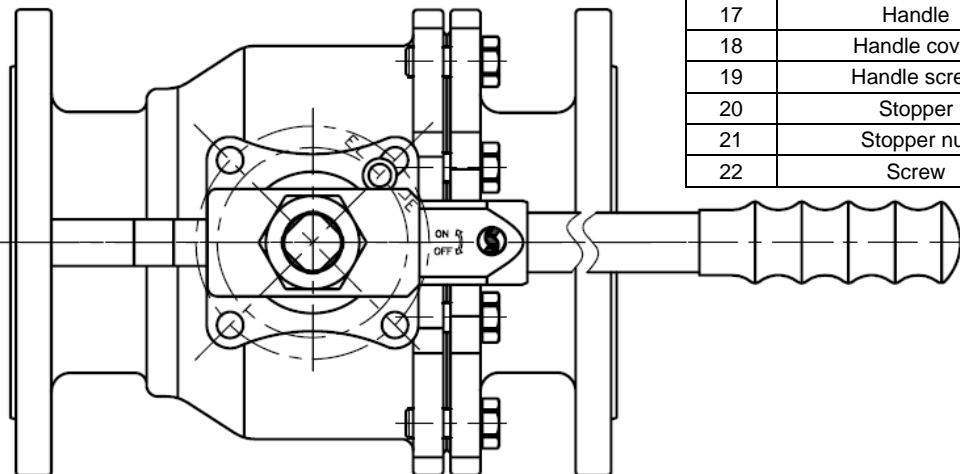


2 PIECES BALL VALVES FLANGED ISO PN 20 ANSI 150

MATERIALS DN 150 (NPS 6") :



Item	Designation	Materials 793	Materials 794
1	Body	ASTM A216 WCB	ASTM A351 CF8M
2	End	ASTM A216 WCB	ASTM A351 CF8M
3	Ball	SS 304	SS 316
4	Stem	SS 316	
5*	Seat	PTFE filled with 3% glass fiber	
6*	Body gasket	SS 304 + graphite	
7*	Thrust washer	PTFE filled with 15% graphite	
8*	O ring	FKM	
9*	Packing	PTFE	
10	Gland	SS 304	
11	Elastic ring	SS 301	
12	Nut	ASTM A351 CF8	
13	Spring washer	SS 304	
14	Washer	SS 304	
15	Handle adaptor	ASTM A351 CF8	
16	Nut	ASTM A351 CF8	
17	Handle	SS 304	
18	Handle cover	Plastic	
19	Handle screw	SS 304	
20	Stopper	SS 304	
21	Stopper nut	SS 304	
22	Screw	SS 304	

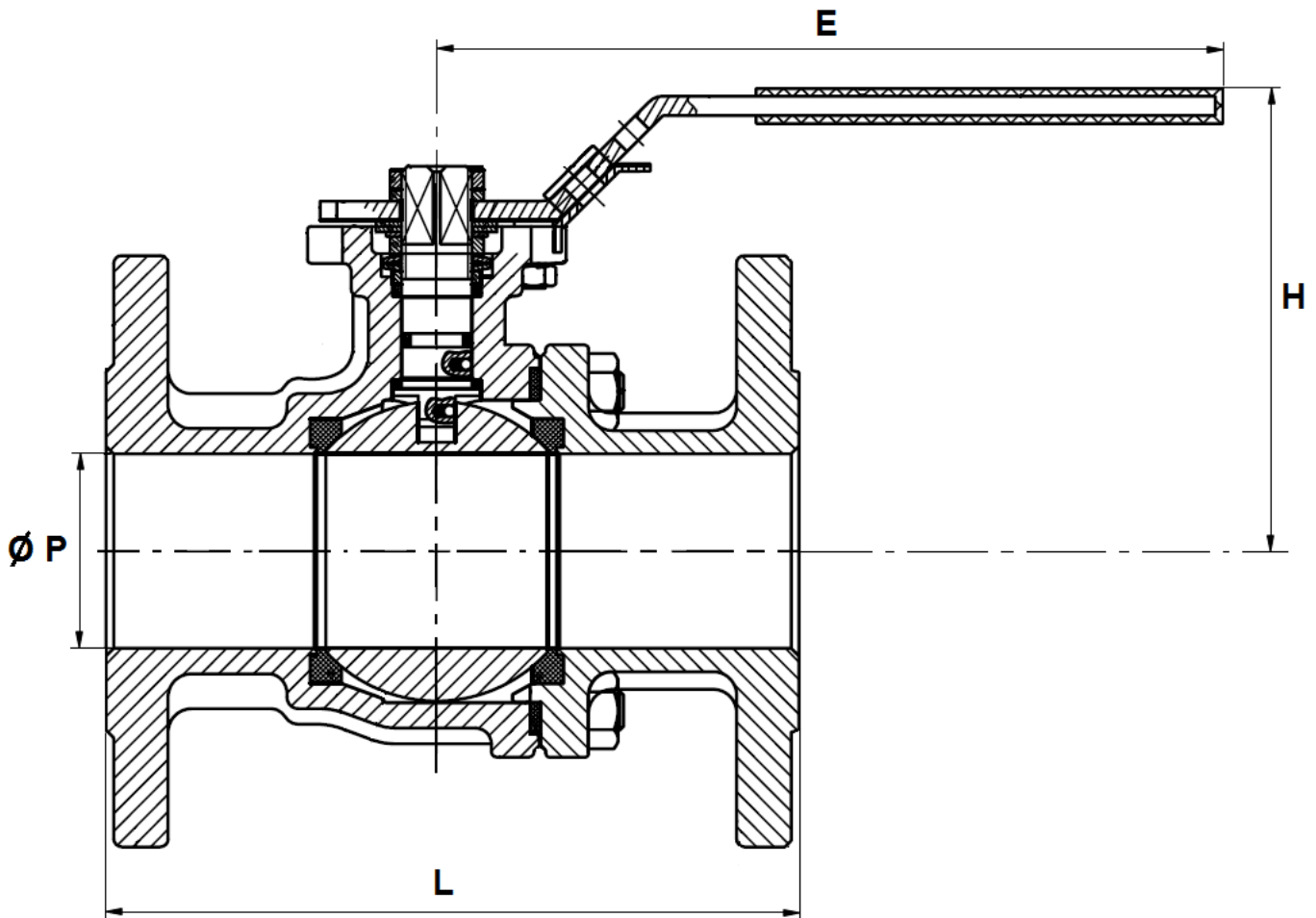


(* : Included in gaskets kit)

2 PIECES BALL VALVES FLANGED ISO PN 20 ANSI 150

SIZE DN 15 – 50 (NPS 1/2" to 2") (in mm) :

DN 15 – 50 (NPS 1/2" to 2")

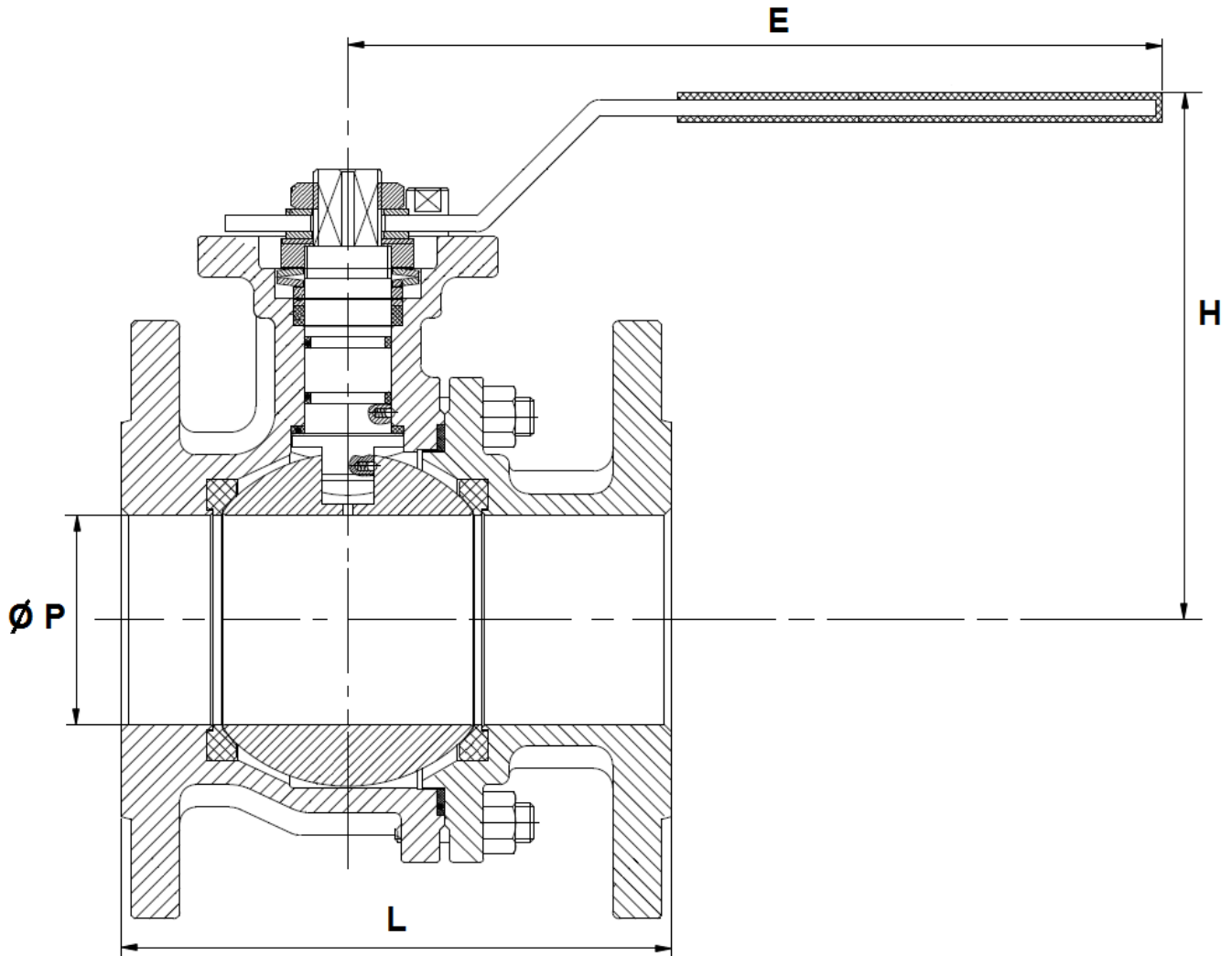


Ref.	DN	15	20	25	32	40	50
	NPS	1/2"	3/4"	1"	1"1/4	1"1/2	2"
793 / 794	Ø P	15	20	25	32	40	50
	L	108	117	127	140	165	178
	E	111.5	137.5	137.5	160	205	205
	H	75	82.5	87.5	107.5	108.5	116.5
	Weight (Kg)	1.58	1.84	2.85	3.65	6.3	8.15

2 PIECES BALL VALVES FLANGED ISO PN 20 ANSI 150

SIZE DN 65 – 100 (NPS 2"1/2 to 4") (in mm) :

DN 65 – 100 (NPS 2"1/2 to 4")

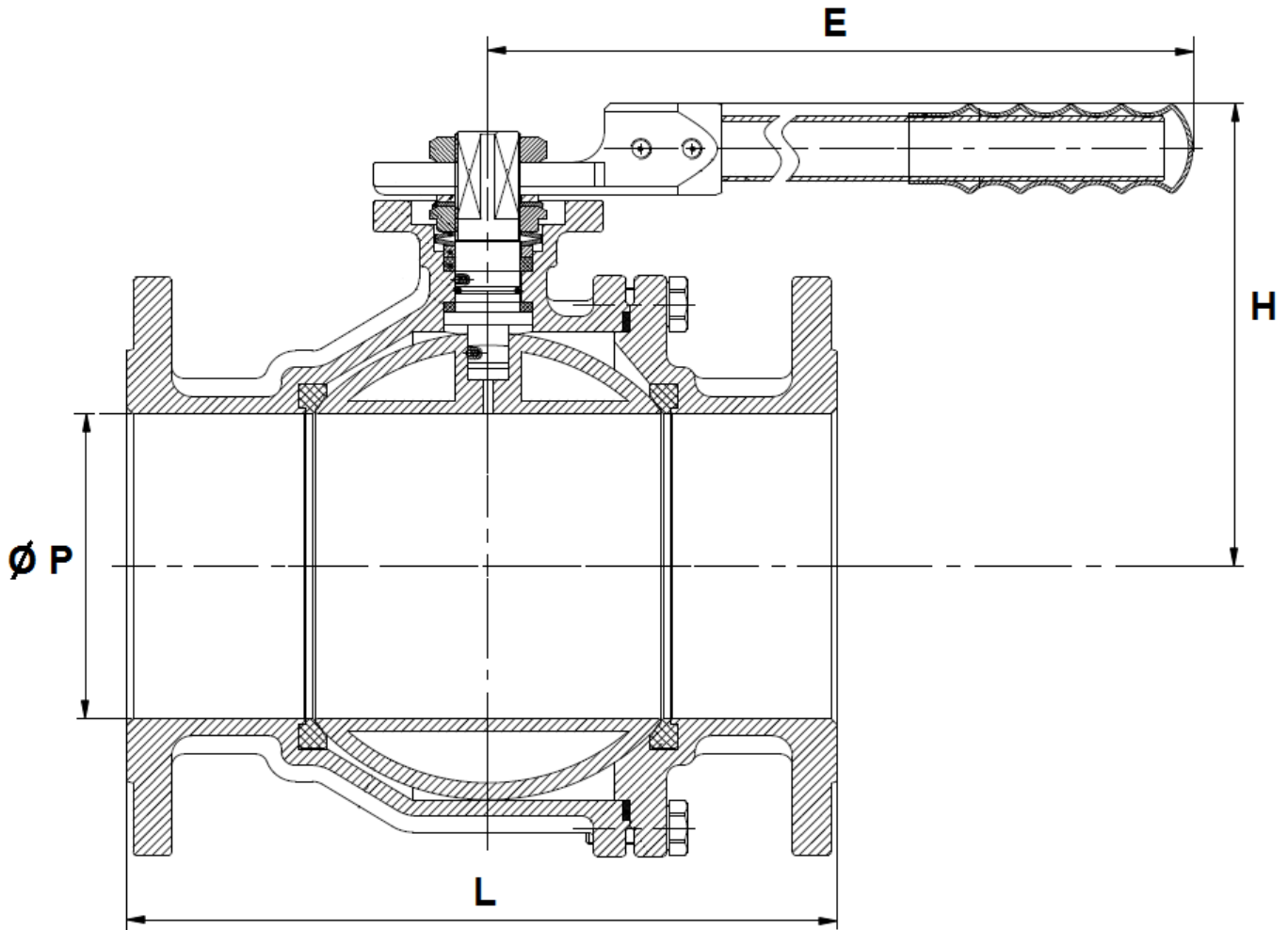


Ref.	DN	65	80	100
	NPS	2"1/2	3"	4"
793 / 794	Ø P	65	80	100
	L	190	203	229
	E	323	323	323
	H	160	170	186
	Weight (Kg)	12.81	16.97	29

2 PIECES BALL VALVES FLANGED ISO PN 20 ANSI 150

SIZE DN 150 (NPS 6") (in mm) :

DN 150 (NPS 6")



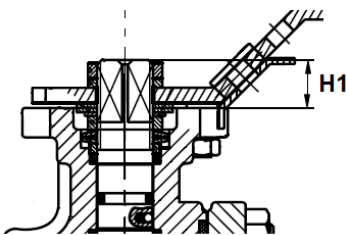
Ref.	DN	150
	NPS	6"
793 / 794	Ø P	150
	L	394
	E	620
	H	228
	Weight (in Kg)	55.8

2 PIECES BALL VALVES FLANGED ISO PN 20 ANSI 150

ISO MOUNTING PAD AND STEM SIZE (in mm) :

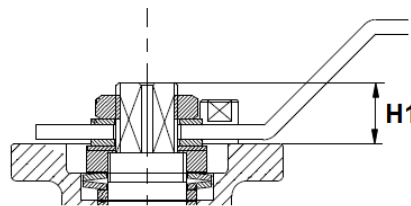
DN 15 – 50

(NPS 1/2" - 2")



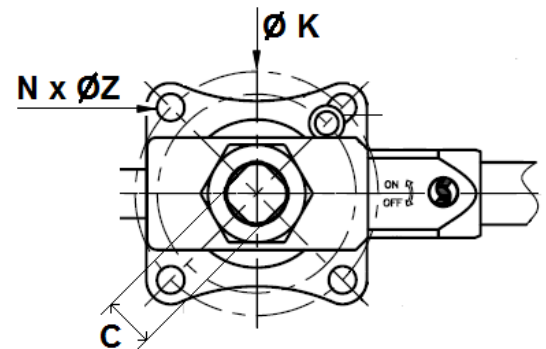
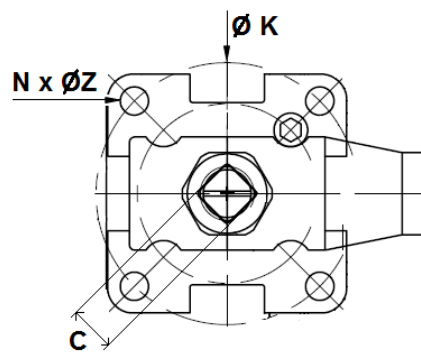
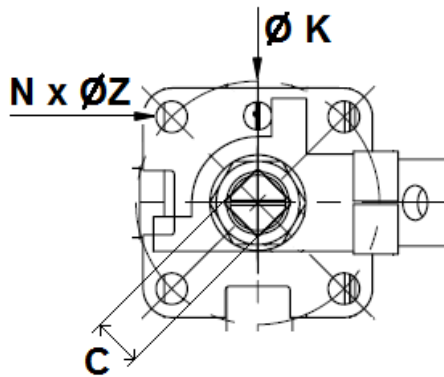
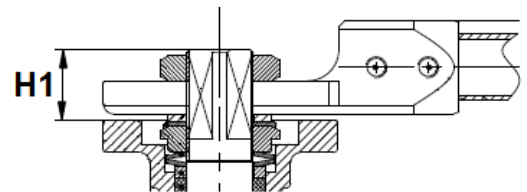
DN 65 – 100

(NPS 2 1/2" - 4")

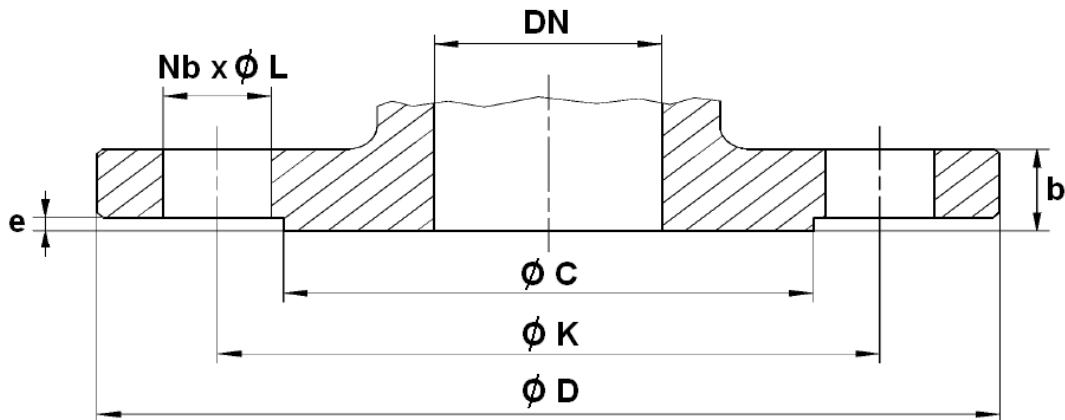


DN 150

(NPS 6")



Ref.	DN	15	20	25	32	40	50	65	80	100	150
	NPS	1/2"	3/4"	1"	1 1/4"	1 1/2"	2"	2 1/2"	3"	4"	6"
793 – 794	C	9	9	11	14	14	14	17	17	17	27
	Ø K	42	42	50	50	70	70	102	102	102	125
	ISO	F04	F04	F05	F05	F07	F07	F10	F10	F10	F12
	N x Ø Z	4 x 6	4 x 6	4 x 7	4 x 7	4 x 9	4 x 9	4 x 11	4 x 11	4 x 11	4x 14
	H1	11	9	10.5	14.5	14.5	14.5	21	21	21	34

2 PIECES BALL VALVES FLANGED ISO PN 20 ANSI 150
FLANGES SIZE (in mm) :


Ref.	DN	15	20	25	32	40	50	65	80	100	150
	NPS	1/2"	3/4"	1"	1 1/4"	1 1/2"	2"	2 1/2"	3"	4"	6"
793 - 794	Ø C	35	43	51	64	73	92	105	127	157	216
	Ø D	89	98	108	117	127	152	178	190	229	279.4
	Ø K	60.5	70	79.5	89	98.5	120.5	139.5	152.5	190.5	241.3
	Nb x Ø L	4 x 16	4 x 16	4 x 16	4 x 16	4 x 16	4 x 19	4 x 19	4 x 19	8 x 19	8 x 22.2
	b	11	11	12	13	15	16	18	19	24	26
	e	1.6	1.6	1.6	1.6	1.6	1.6	1.6	1.6	1.6	1.6

2 PIECES BALL VALVES FLANGED ISO PN 20 ANSI 150

TORQUE VALUES (in Nm without safety coefficient) :

DN	15	20	25	32	40	50	65	80	100	150
NPS	1/2"	3/4"	1"	1"1/4"	1"1/2"	2"	2"1/2"	3"	4"	6"
Torque (Nm)	6	8	10	14	20	30	36	60	95	210

STANDARDS :

- Fabrication according to ISO 9001 : 2008
- DIRECTIVE 97/23/CE : CE N° 0035
Risk Category II module D1
- Designing according to EN 12516-1
- Tests according to API 598, table 6
- ISO PN20 ANSI 150 R.F flanges according to ASME B16.5
- ISO 5211 mounting pad
- Length according to ASME B16.10 (EN 558 series 3 up to DN100, series 12 for DN150)

ADVICE : Our opinion and our advice are not guaranteed and SFERACO shall not be liable for the consequences of damages.
The customer must check the right choice of the products with the real service conditions.

2 PIECES BALL VALVES FLANGED ISO PN 20 ANSI 150**INSTALLATION INSTRUCTIONS****GENERAL GUIDELINES :**

- Ensure that the valves to be used are appropriate for the conditions of the installation (type of fluid, pressure and temperature).
- Be sure to have enough valves to be able to isolate the sections of piping as well as the appropriate equipment for maintenance and repair.
- Ensure that the valves to be installed are of correct strength to be able to support the capacity of their usage.
- **Installation of all circuits should ensure that their function can be automatically tested on a regular basis (at least two times a year).**

INSTALLATION INSTRUCTIONS :

- **Before installing the valves, clean and remove any objects from the pipes** (in particular bits of sealing and metal) which could obstruct and block the valves.
- **Ensure that both connecting pipes either side of the valve (upstream and downstream) are aligned (if they're not, the valves may not work correctly).**
- **Make sure that the two sections of the pipe (upstream and downstream) match, the valve unit will not absorb any gaps. Any distortions in the pipes may affect the tightness of the connection, the working of the valve and can even cause a rupture.** To be sure, place the kit in position to ensure the assembling will work.
- **If sections of piping do not have their final support in place, they should be temporarily fixed. This is to avoid unnecessary strain on the valve.**
- Tighten the bolts in cross.
- It's recommended to operate the valve (open and close) 1 to 2 times per year